

HITZE
PRODUCENT KOMINKÓW



SYSTEM EASY FIT

HST
CONVECTION
FIREPLACE INSERTS

Join the group of those *who chose well.*

Hitze is a modern brand of ecological fireplace inserts and free-standing stoves. We have specialized in **wood-fired appliances** for over 20 years. Our headquarters and the entire production are located in Poland, but our representatives can be found in over **35 countries** in Europe, Africa and Asia.

The dynamic development over the last 5 years has strengthened our position in the segment of high-quality products while maintaining **competitive prices**.

HST SYSTEM EASY FIT

18
models

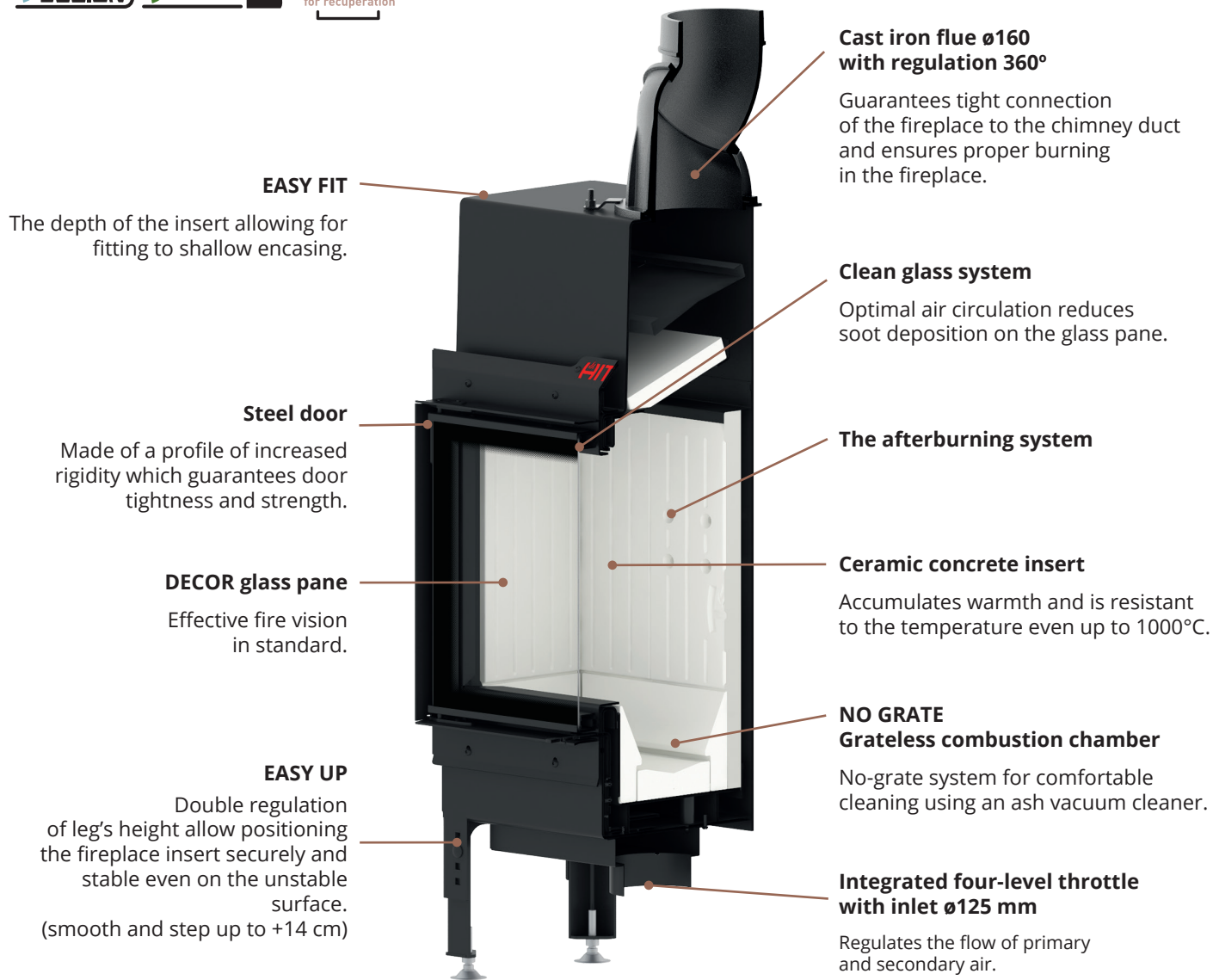
3 kW

ADJUSTABLE POWER RANGE

17 kW

Fireplaces of HST line are inserts adapted to shallow encasing. Depending on the nominal power of a given model, they are dedicated to small usable areas as a recreational fireplace or an additional source of heating. The line consists of **three sizes of inserts**, appearing in six variants of the door opening (standard, right, left, guillotine, right guillotine, left guillotine).

The standard equipment is: decorative DECOR pane, a double deflector (steel and ceramic), grateless combustion chamber, ventilated handle, 360 ° rotated cast iron flue, double smooth and step height adjustment of the legs and a common primary and secondary air control lever. The chamber is lined with warmth **accumulating ceramic concrete**.





HST 59x43



HST 68x43






HST 54x39

SYSTEM EASY FIT

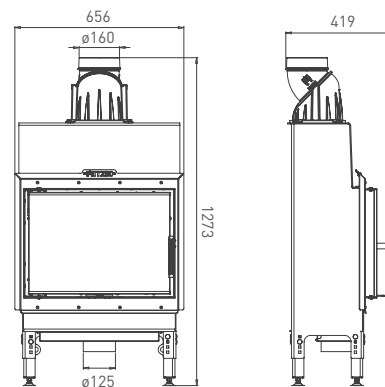


HST54x39.S

standard horizontal






-  5,9 kW
-  3,0 - 8,0 kW
-  76 %
-  240 - 390 cm²
-  420 - 480 cm²

A

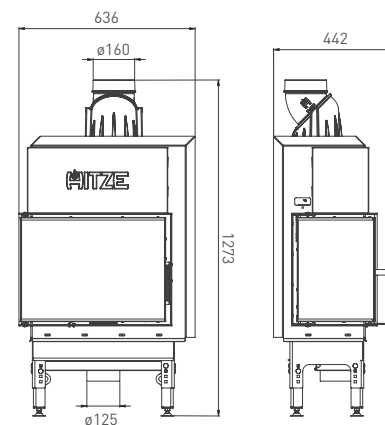


HST54x39.L

left horizontal






-  5,9 kW
-  3,0 - 8,0 kW
-  76 %
-  240 - 390 cm²
-  420 - 480 cm²

A

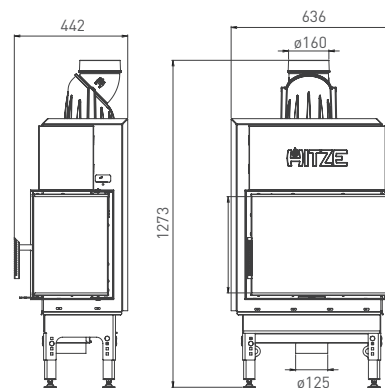


HST54x39.R

right horizontal

-  5,9 kW
-  3,0 - 8,0 kW
-  76 %
-  240 - 390 cm²
-  420 - 480 cm²






A



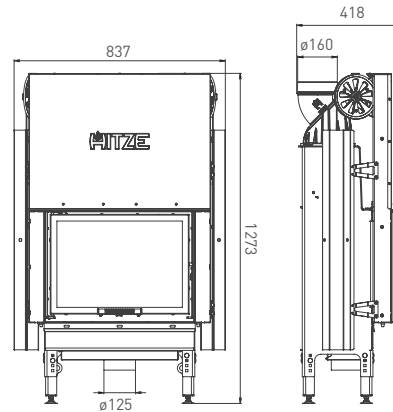


HST54x39.G

guillotine horizontal






-  11,2 kW
-  5,5 - 14,0 kW
-  75 %
-  440 - 720 cm²
-  770 - 880 cm²

A

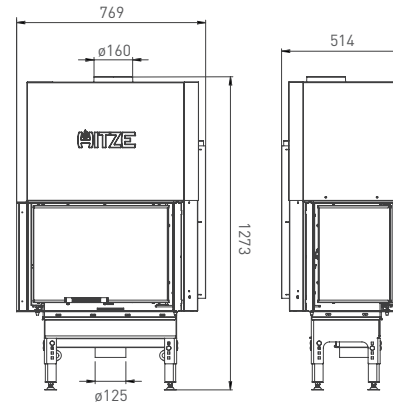


HST54x39.LG

left guillotine horizontal






-  11,2 kW
-  5,5 - 14,0 kW / кВт
-  75 %
-  440 - 720 cm²/cm²
-  770 - 880 cm²/cm²

A

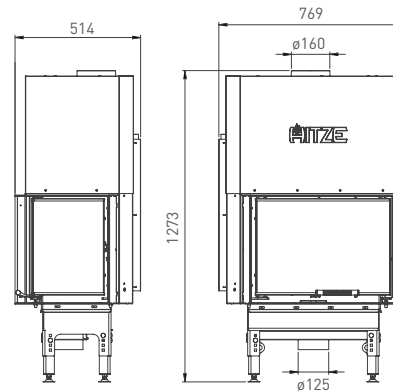


HST54x39.RG

right guillotine horizontal

-  11,2 kW
-  5,5 - 14,0 kW
-  75 %
-  440 - 720 cm²
-  770 - 880 cm²

A








HST 59x43

SYSTEM EASY FIT

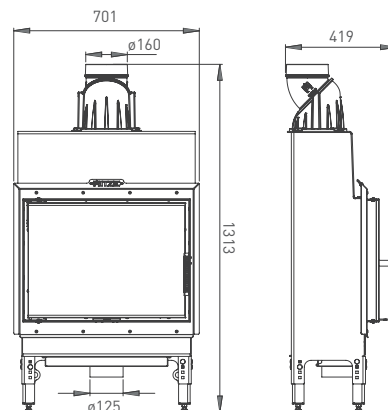


HST59x43.S

standard horizontal






-  7,6 kW
-  4,0 - 10,0 kW
-  77 %
-  320 - 520 cm²
-  560 - 640 cm²

A

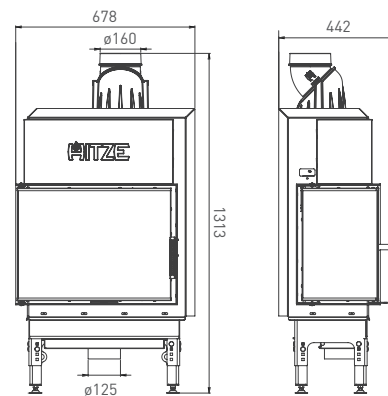


HST59x43.L

left horizontal






-  7,6 kW
-  4,0 - 10,0 kW
-  77 %
-  320 - 520 cm²
-  560 - 640 cm²

A

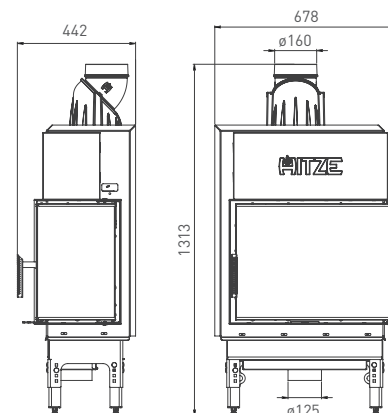


HST59x43.R

right horizontal






-  7,6 kW
-  4,0 - 10,0 kW
-  77 %
-  320 - 520 cm²
-  560 - 640 cm²

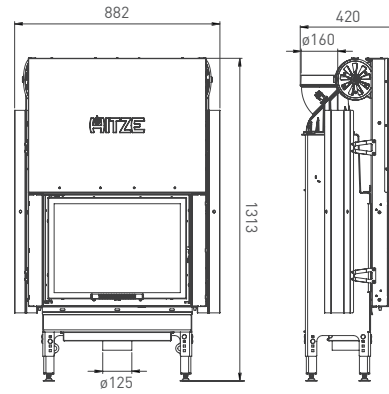
A










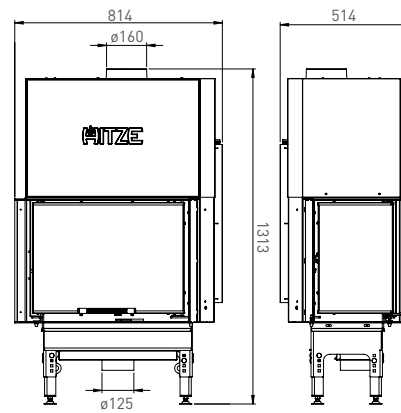
HST59x43.G
guillotine horizontal

-  12,2 kW
-  6,0 - 16,0 kW
-  77 %
-  480 - 780 cm²
-  840 - 960 cm²








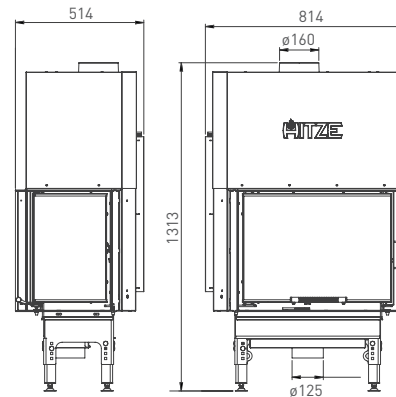
HST59x43.LG
left guillotine horizontal

-  12,2 kW
-  6,0 - 16,0 kW
-  77 %
-  480 - 780 cm²
-  840 - 960 cm²



HST59x43.RG
right guillotine horizontal

-  12,2 kW
-  6,0 - 16,0 kW
-  77 %
-  480 - 780 cm²
-  840 - 960 cm²








HST 68x43

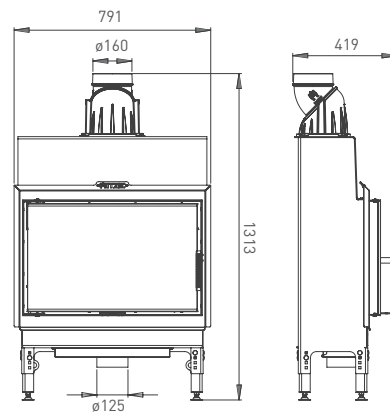
SYSTEM EASY FIT








HST68x43.S
standard horizontal

-  9,3 kW
-  4,5 - 12,0 kW
-  78 %
-  360 - 590 cm²
-  630 - 720 cm²

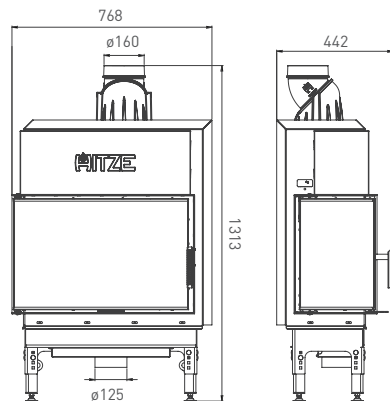
A








HST68x43.L
left horizontal

-  9,3 kW
-  4,5 - 12,0 kW
-  78 %
-  360 - 590 cm²
-  630 - 720 cm²

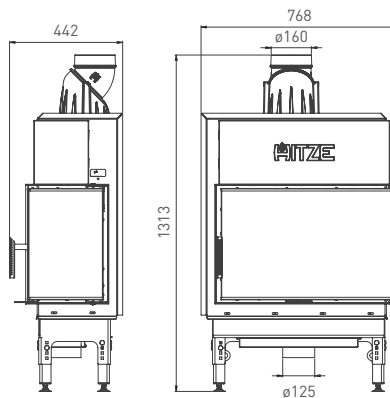
A



HST68x43.R
right horizontal

-  9,3 kW
-  4,5 - 12,0 kW
-  78 %
-  360 - 590 cm²
-  630 - 720 cm²






A



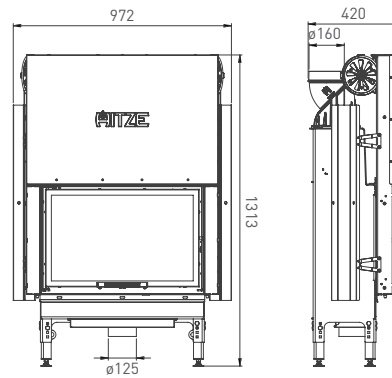


HST68x43.G

guillotine horizontal






-  13,2 kW
-  6,5 - 17,0 kW
-  79 %
-  520 - 850 cm²
-  910 - 1040 cm²

A

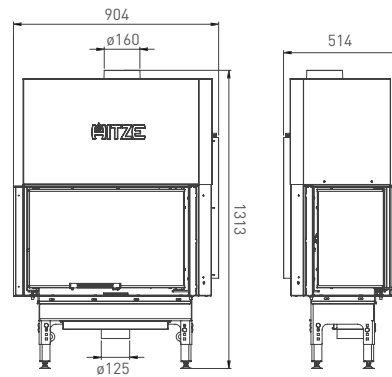


HST68x43.LG

left guillotine horizontal






-  13,2 kW
-  6,5 - 17,0 kW
-  79 %
-  520 - 850 cm²
-  910 - 1040 cm²

A

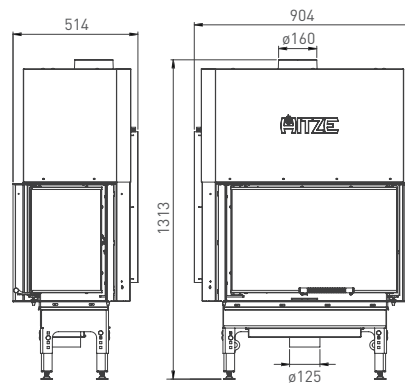


HST68x43.RG

right guillotine horizontal

-  13,2 kW
-  6,5 - 17,0 kW
-  79 %
-  520 - 850 cm²
-  910 - 1040 cm²

A



INSTALLATION ACCESSORIES:

HEAT EXCHANGERS



WCPW01.Fi200
WCPW01Fi180
heat exchanger
with water jacket
material:
boiler steel 3 mm
kw < 7 kW
kw < 7 kW



WCPW01w.Fi200
WCPW01wFi180
heat exchanger with water
jacket and coil pipe
material:
boiler steel 3 mm
kw < 7 kW
kw < 7 kW

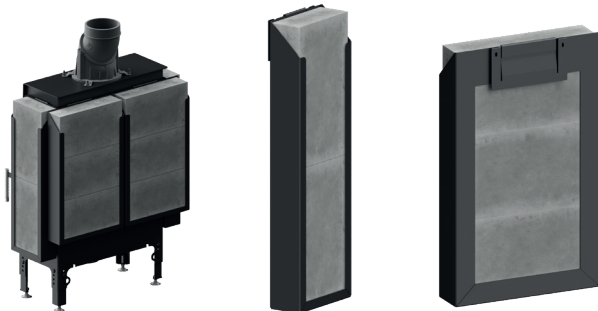


WCPW02.Fi200
heat exchanger
with water jacket
and tubes
material:
boiler steel 4 mm
kw < 10 kW



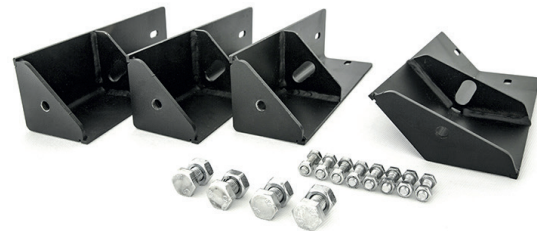
WCPP01.Fi200
WCPP01Fi180
air heat exchange
material:
boiler steel 3 mm
kw < 7 kW
kw < 7 kW

ACCUMULATION SET



For the lines:
ALBERO, ALBERO AQUASYSTEM, ARDENTE, HST, STMA
Block weight: 14,5 kg

ADDITIONAL FEET

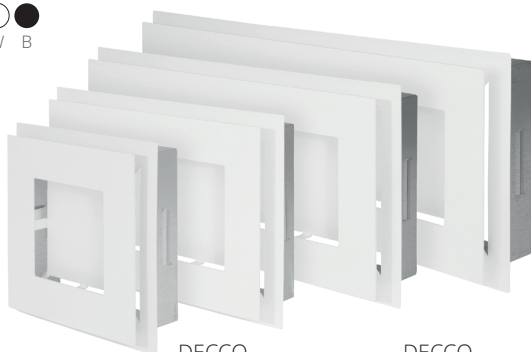


For the lines:
ALBERO, ALBERO AQUASYSTEM, STMA, ARDENTE

VENTILATION GRIDS

DECCO

Available in various colors and sizes.
Material: steel with a thickness of 1.5 mm.
Mounting frame included.



DECCO
size: 20 x 20 cm
KDC-20x20-W

DECCO
size: 20 x 30 cm
KDC-20x30-W

DECCO
size: 20 x 40 cm
KDC-20x40-W

DECCO
size: 20 x 50 cm
KDC-20x50-W

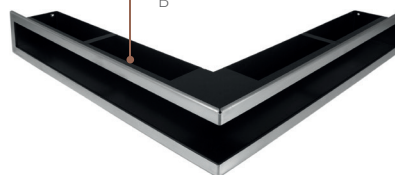
SLIM

Available in various shapes and sizes.
Shapes: straight and corner
Material: steel with a thickness of 1.5 mm



SLIM INOX

Available in various shapes and sizes.
Base colors: black
Finish: stainless steel, polished
Shapes: straight and corner
Material: steel with a thickness of 1.5 mm



FIREPLACE PERSONALIZATION

STANDARD OPENING



INOX VENT



INOX VENT
PORTAL



BLACK VENT



BLACK VENT
PORTAL



BLACK BASIC

GUILLOTINE OPENING (available in 5 sizes)



INOX VENT G

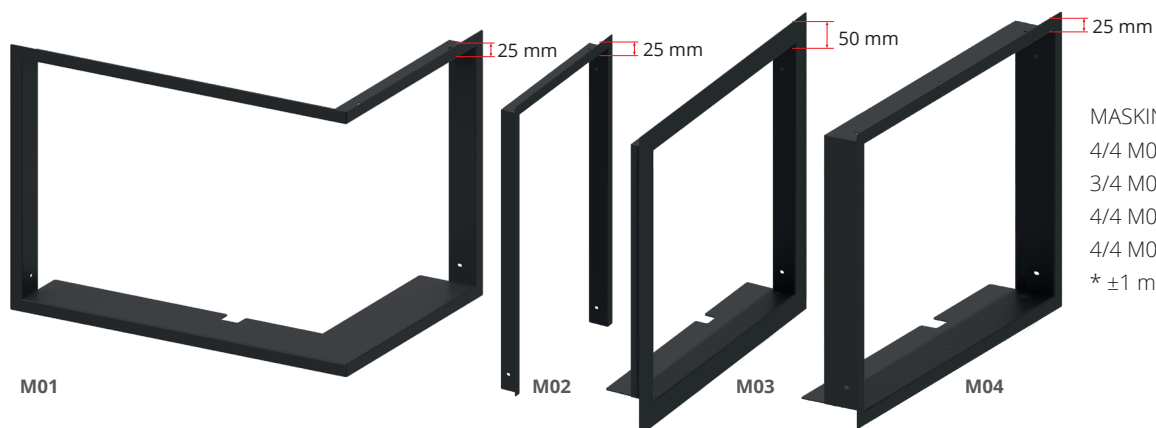


BLACK VENT G



BLACK MINIMAL G

MASKING FRAMES



MASKING FRAMES:
4/4 M01 - 25 mm
3/4 M02 - 25 mm
4/4 M03 - 50 mm
4/4 M04 - 25 mm / depth 79 mm*
* ±1 mm depending on the model

GLASS BASES



BASE 01
Dimensions (mm) 515 x 350
BASE 02
Dimensions (mm) 1067 x 1260
Material: tempered glass

BLACK CERAMIC CONCRETE INSERT available for all models



CERAMIC GLASS DECOR:



Technical data

HST 54x39

HST54x39	HST54x39.S	HST54x39.G	HST54x39.L/R	HST54x39.LG/RG
Nominal power [kW]	5,9	11,2	5,9	11,2
Heating load range [kW]	3,0-8,0	5,5-14,0	3,0-8,0	5,5-14,0
Thermal efficiency [%]	76	75	76	75
CO emission (przy 13%O ₂) [g/m ³]	0,480	0,507	0,480	0,507
Dust emission [g/m ³]	0,038	0,037	0,038	0,037
Average fuel consumption [kg/h]	1,8	3,3	1,8	3,3
Recommended active area of outlet grids [cm ²]	420-480	770-880	420-480	770-880
Recommended active area of inlet grids [cm ²]	240-390	440-720	240-390	440-720
Dimensions of the glass [mm]	540x390	540x390	540x390x295	540x390x295
External dimensions [mm]	656x1273x419	837x1273x418	636x1273x442	769x1273x514
Diameter of the flue [mm]	160	160	160	160
Inlet diameter [mm]	125	125	125	125
Maximum log length [mm]	300	300	300	300
Weight of the insert [kg]	150	193	142	195
Masking frame 4/4	FHST54x39S-M01	FHST54x39G-M01	FHST54x39RL-M01	FHST54x39RG-M01 FHST54x39LG-M01
Portal frame	FAL9S.H-RP01	FAL9G.H-RP01	-	-
Efficiency coefficient	101,2	99,8	101,2	99,8
Energy class	A	A	A	A

HST 59x43

HST59x43	HST59x43.S	HST59x43.G	HST59x43.L/R	HST59x43.LG/RG
Nominal power [kW]	7,6	12,2	7,6	12,2
Heating load range [kW]	4,0-10,0	6,0-16,0	4,0-10,0	6,0-16,0
Thermal efficiency [%]	77	77	77	77
CO emission (przy 13%O ₂) [g/m ³]	0,719	0,716	0,719	0,716
Dust emission [g/m ³]	0,036	0,038	0,036	0,038
Average fuel consumption [kg/h]	2,3	3,5	2,3	3,5
Recommended active area of outlet grids [cm ²]	560-640	840-960	560-640	840-960
Recommended active area of inlet grids [cm ²]	320-520	480-780	320-520	480-780
Dimensions of the glass [mm]	590x430	590x430	590x430x295	590x430x295
External dimensions [mm]	701x1313x419	882x1313x420	678x1313x442	814x1313x514
Diameter of the flue [mm]	160	160	160	160
Inlet diameter [mm]	125	125	125	125
Maximum log length [mm]	330	330	330	330
Weight of the insert [kg]	165	210	155	205
Masking frame 4/4	FHST59x43S-M01	FHST59x43G-M01	FHST59x43RL-M01	FHST59x43RG-M01 FHST59x43LG-M01
Portal frame	FAL11S.H-RP01	FAL11G.H-RP01	-	-
Efficiency coefficient	102,7	102,7	102,7	102,7
Energy class	A	A	A	A

HST 68x43

HST68x43	HST68x43.S	HST68x43.G	HST68x43.L/R	HST68x43.LG/RG
Nominal power [kW]	9,3	13,2	9,3	13,2
Heating load range [kW]	4,5-12,0	6,5-17,0	4,5-12,0	6,5-17,0
Thermal efficiency [%]	78	79	78	79
CO emission (przy 13%O ₂) [g/m ³]	0,957	0,925	0,957	0,925
Dust emission [g/m ³]	0,033	0,038	0,033	0,038
Average fuel consumption [kg/h]	2,8	3,7	2,8	3,7
Recommended active area of outlet grids [cm ²]	630-720	910-1040	630-720	910-1040
Recommended active area of inlet grids [cm ²]	360-590	520-850	360-590	520-850
Dimensions of the glass [mm]	680x430	680x430	680x430x295	680x430x295
External dimensions [mm]	791x1313x419	972x1313x420	768x1313x442	904x1313x514
Diameter of the flue [mm]	160	160	160	160
Inlet diameter [mm]	125	125	125	125
Maximum log length [mm]	350	350	350	350
Weight of the insert [kg]	180	228	170	225
Masking frame 4/4	FHST68x43S-M01	FHST68x43G-M01	FHST68x43RL-M01	FHST68x43RG-M01 FHST68x43LG-M01
Portal frame	FAL14S.H-RP01	FAL14G.H-RP01	-	-
Efficiency coefficient	104,1	104,1	105,6	105,6
Energy class	A	A	A	A

ICONS USED IN CATALOGUE:



Nominal power



Range of heating power



Thermal efficiency



Area of inlet grilles



Area of outlet grilles



Dimensions

HITZE

FIREPLACES
for recuperation



www.hitze.pl



HitzeProducentKominków



hitze_producent_kominkow



HITZE Producent Kominków

STALKO
spółka z ograniczoną odpowiedzialnością
spółka komandytowa
ul. Solec 24/253
00-403 Warszawa, POLSKA

Biuro:
Gdyńska 32
26-600 Radom
POLSKA



+48 48 380 18 98
+48 800 88 00 30



info@hitze.pl

NIP 9482603545
REGON 361379132
KRS 0000836475

Kolory RAL przedstawione na wizualizacjach produktów mają charakter poglądowy i ich odcienie mogą nieznacznie różnić się od koloru rzeczywistego.

Firma Hitze zastrzega sobie prawo do wprowadzania zmian w parametrach technicznych, wyposażenia i specyfikacji oferowanych produktów. Informacje zawarte w katalogu mają charakter wyłącznie informacyjny, i nie stanowią oferty w rozumieniu kodeksu cywilnego.